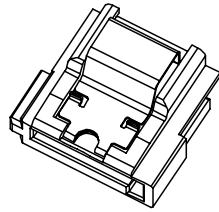


| P/N | PLATING TYPE | REMARK |
|------------|-------------------------|-----------------------|
| 67489-0001 | GOLD FLASH | METAL LATCH TYPE ONLY |
| 67489-0002 | GOLDPLATED 0.76 MICRONS | |
| 67489-0005 | GOLDPLATED 0.38 MICRONS | |



NOTES:

1.MATERIAL:

HOUSING: THERMAL PLASTIC, GLASS FILLED, UL94V-0, COLOR: BLACK.
 COVER: THERMAL PLASTIC, COLOR : BLACK.
 TERMINAL: COPPER ALLOY.
 METAL LATCH: STAINLESS STEEL

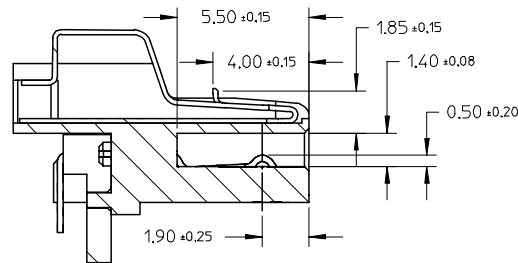
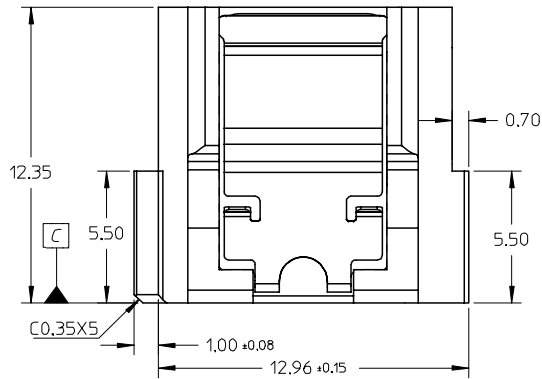
2.TERMINAL PLATING :

CONTACT AREA: GOLD PLATED;
 SOLDER TAIL:TIN, THICKNESS=1.27 MICRNS MINIMUM
 UNDER PLATE:NICKEL, THICKNESS=1.27 MICRONS MINIMUM

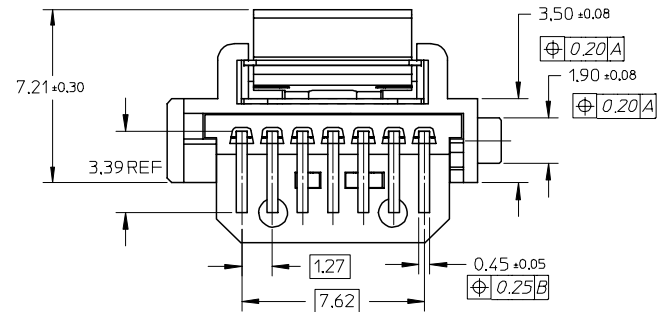
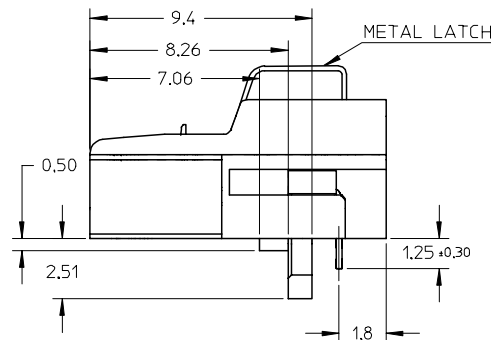
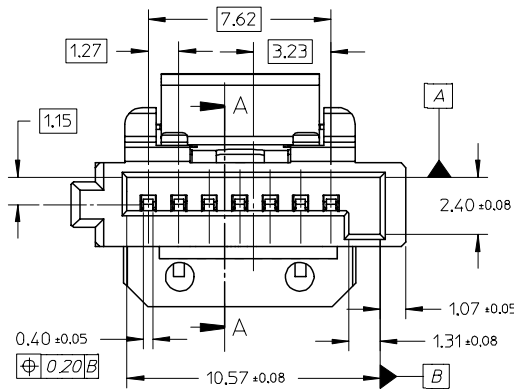
3.PACKAGING : TRAY

4.PRODUCT SPECIFICATION REFER TO PS-67490-00*

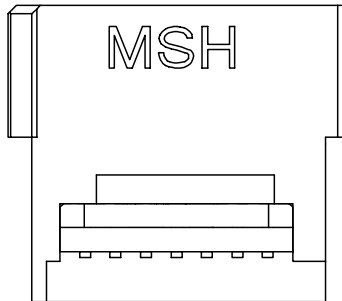
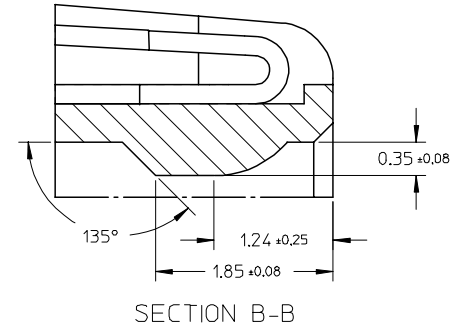
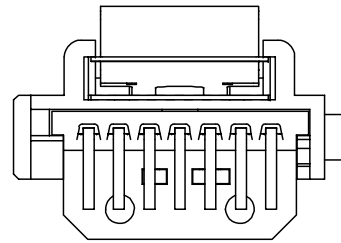
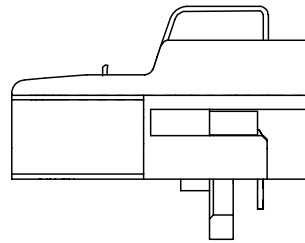
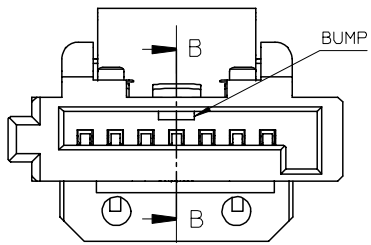
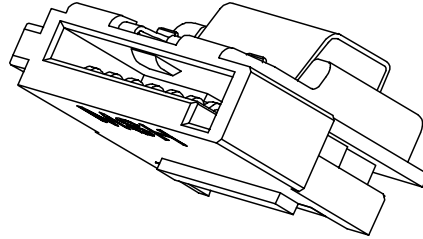
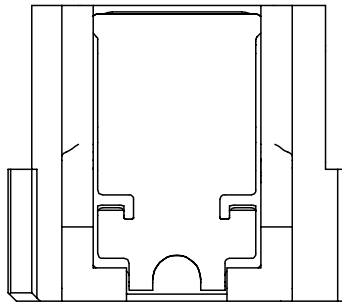
5 MATING PART 67800, 47080 SERIES



SECTION A-A



| | | | | | | | | | |
|--|-----------------------------------|---------------------------------------|-------|----------------------------|------------------------|---|------------------------------|---------------------|--|
| EC NO: SH2004-0185 DRWN:GRMA 2004/12/28 CHKD:GRATE 2004/12/30 APPR:YTYAP 2004/12/30 | QUALITY SYMBOLS ▽ = 0 ▽ = 0 | GENERAL TOLERANCES (UNLESS SPECIFIED) | | SCALE 5:1 | DESIGN UNITS METRIC | THIRD ANGLE PROJECTION | REVISE ON CAD ONLY | | |
| | | mm | INCH | DIMENSION STYLE MM ONLY | | TITLE SERIAL ATA R/A CABLE END CONNECTOR WITH LATCH TYPE | | | |
| | | 4 PLACES ± --- | ± --- | DRAWN BY GRATE MA | DATE 2004/03/24 | MOLEX INCORPORATED | | | |
| | | 3 PLACES ± --- | ± --- | CHECKED BY YAJUN | DATE 2004/03/24 | MATERIAL NO. SEE TABLE | DOCUMENT NO. SD-67489-001 | SHEET NO. 1 OF 2 | |
| 2 PLACES ± 0.2 | ± --- | ANGULAR ± 1 ° | | APPROVED BY SAM | DATE 2004/03/24 | THIS DRAWING CONTAINS INFORMATION THAT IS PROPRIETARY TO MOLEX INCORPORATED AND SHOULD NOT BE USED WITHOUT WRITTEN PERMISSION | | | |
| 1 PLACE ± 0.25 | ± --- | DRAFT WHERE APPLICABLE | | | | | | | |
| | | MUST REMAIN WITHIN DIMENSIONS | | | | | | | |



THIS IS ONLY FOR 67489-200*, OTHER
INFOMATION IS REFERED TO 67489-000*

| P/N | PLATING TYPE | REMARK |
|------------|--------------------------|------------------|
| 67489-2001 | GOLD FLASH | BOTH METAL LATCH |
| 67489-2002 | GOLD PLATED 0.76 MICRONS | AND BUMP TYPE |
| 67489-2005 | GOLD PLATED 0.38 MICRONS | |

tb_frame_B
rev. B1 2000/08/01

| | | | | | | | |
|---|-----------------------------------|--|-------------------------|---|---|---|--------------------|
| EC NO: SH2004-0185 DRWN: GRMA 2004/12/28 CHKD: GRATE 2004/12/30 APPR: YTYAP 2004/12/30 | QUALITY SYMBOLS ▽ = 0 ▽ = 0 | GENERAL TOLERANCES (UNLESS SPECIFIED) | | SCALE 5:1 | DESIGN UNITS METRIC | THIRD ANGLE PROJECTION | REVISE ON CAD ONLY |
| | | 4 PLACES ± --- ± --- 3 PLACES ± --- ± --- 2 PLACES ± 0.2 ± --- 1 PLACE ± 0.25 ± --- | DIMENSION STYLE MM ONLY | TITLE SERIAL ATA R/A CABLE END CONNECTOR WITH LATCH TYPE | | | |
| | | ANGULAR ± 1 ° | DRAFT WHERE APPLICABLE | DRAWN BY GRATE MA CHECKED BY YAJUN APPROVED BY SAM | DATE 2004/03/24 DATE 2004/03/24 DATE 2004/03/24 | MATERIAL NO. SEE CHART DOCUMENT NO. SD-67489-001 | SHEET NO. 2 OF 2 |
| | | MUST REMAIN WITHIN DIMENSIONS | | THIS DRAWING CONTAINS INFORMATION THAT IS PROPRIETARY TO MOLEX INCORPORATED AND SHOULD NOT BE USED WITHOUT WRITTEN PERMISSION | | | |